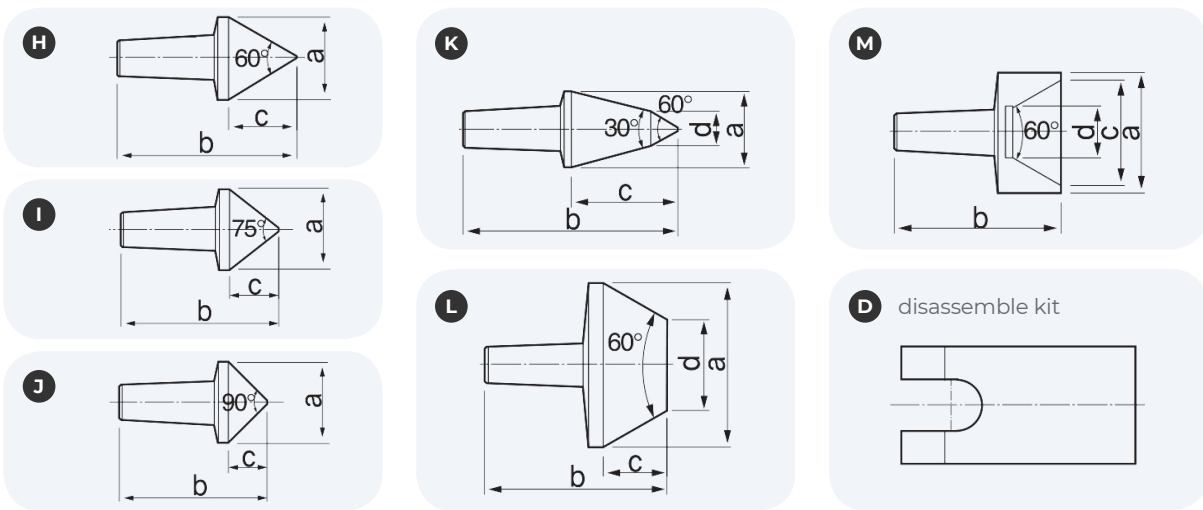


# BNI POINTS



\* Set of BNI includes 6 type of insert shaft and disassemble kit

## Dimension

Unit: mm. kg

MODEL	MT		H	I	J	K	L	M
051002	2	a	24	24	24	18	45	22
		b	51.5	46.5	43	55.5	51	40
		c	20	15	11.5	25	17.5	18
		d	-	-	-	8	25	6.5
051003	3	a	24	24	24	18	45	22
		b	51.5	46.5	43	55.5	51	40
		c	20	15	11.5	25	17.5	18
		d	-	-	-	8	25	6.5
051004	4	a	28	28	28	26	55	40
		b	61.5	55.5	51.5	73	61.5	55
		c	23.5	17.5	13.5	36	21.5	35
		d	-	-	-	12	30.2	16.5
051005	5	a	38	38	38	32	70	52
		b	78	70	64	90	74	65
		c	32	24	18.5	46	26	45
		d	-	-	-	13	40	25.4

\* Order example: '051004H' = MT 4 BNI insert shaft type: H